



Other Cutting Tools

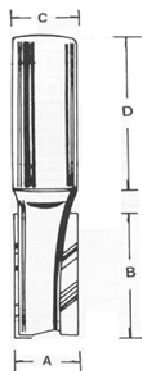
Angle grinder Super System

A range of blades for use on an angle grinder. These blades are designed to be used with a special protective guard, which is also available from stock.

	D	B	b	c	z	£
Steel	125	2.2	1.6	25.4	24	70.68
	115	2.2	1.6	25.4	24	64.04
Wood	125	2.5	1.5	25.4	12	53.83
	115	2.5	1.5	25.4	12	49.37
Carver	125	4.0	2.5	25.4	6	55.30
	115	4.0	2.5	25.4	6	50.82
Guards	115/125					69.30

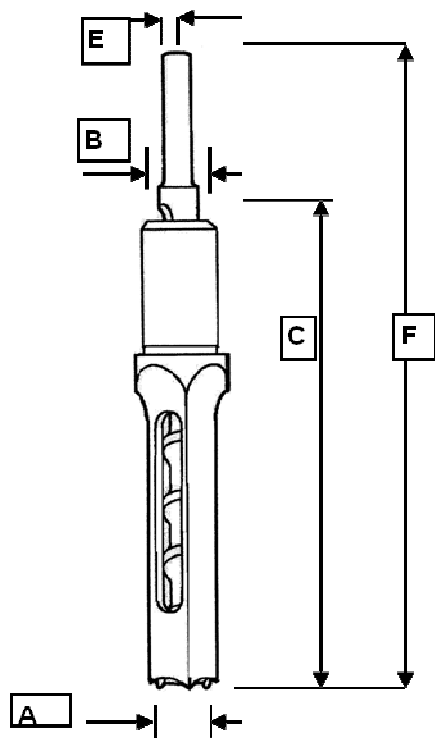
Router Cutters

2 Flute Plunge router cutters



Cutting Dia	Cutting Length	Shank Dia	Shank Length	£
A	B	C	D	
1/2"	2"	1/2"	35mm	21.16
1/2"	1.1/14"	1/2"	35mm	18.43

Mortice Chisel & bit Sets



Size A	B	C	E	F	£
1/4"	20.6	133	4.4	210	39.70
5/16"	20.6	138	5.9	210	39.70
3/8"	20.6	138	7.0	210	39.70
7/16"	20.6	138	8.4	210	43.38
1/2"	20.6	138	9.4	210	43.38
9/16"	20.6	156	10.5	225	50.35
5/8"	20.6	156	11.9	225	50.35
3/4"	20.6	163	11.9	240	72.11
1"	30.1	190	12.5	275	132.98

