



Other Cutting Tools

Angle grinder Super System

A range of blades for use on an angle grinder. These blades are designed to be used with a special protective guard, which is also

| | D | B | b | c | z | £ |
|--------|---------|-----|-----|------|----|-------|
| Steel | 125 | 2.2 | 1.6 | 25.4 | 24 | 81.56 |
| | 115 | 2.2 | 1.6 | 25.4 | 24 | 73.90 |
| Wood | 125 | 2.5 | 1.5 | 25.4 | 12 | 62.12 |
| | 115 | 2.5 | 1.5 | 25.4 | 12 | 56.97 |
| Carver | 125 | 4.0 | 2.5 | 25.4 | 6 | 63.82 |
| | 115 | 4.0 | 2.5 | 25.4 | 6 | 58.64 |
| Guards | 115/125 | | | | | 79.98 |

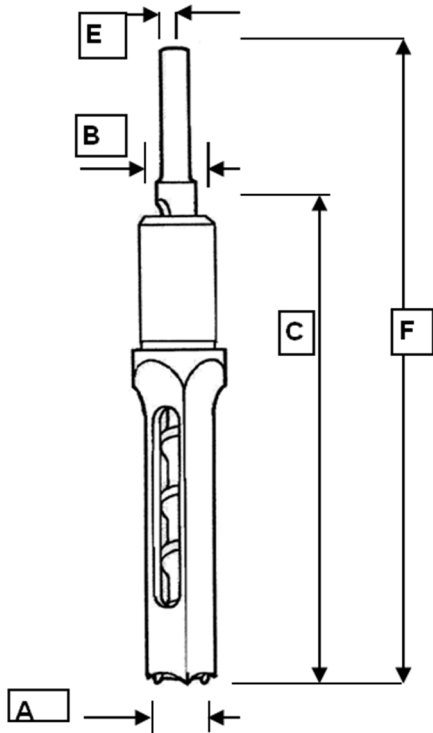
Router Cutters

2 Flute Plunge router cutters



| Cutting Dia | Cutting Length | Shank Dia | Shank Length | £ |
|-------------|----------------|-----------|--------------|-------|
| A | B | C | D | |
| 1/2" | 2" | 1/2" | 35mm | 24.41 |
| 1/2" | 1.1/14" | 1/2" | 35mm | 21.26 |

Mortise Chisel & bit Sets



| Size A | B | C | E | F | £ |
|--------|------|-----|------|-----|--------|
| 1/4" | 20.6 | 133 | 4.4 | 210 | 45.81 |
| 5/16" | 20.6 | 138 | 5.9 | 210 | 45.81 |
| 3/8" | 20.6 | 138 | 7.0 | 210 | 45.81 |
| 7/16" | 20.6 | 138 | 8.4 | 210 | 50.06 |
| 1/2" | 20.6 | 138 | 9.4 | 210 | 50.06 |
| 9/16" | 20.6 | 156 | 10.5 | 225 | 58.11 |
| 5/8" | 20.6 | 156 | 11.9 | 225 | 58.11 |
| 3/4" | 20.6 | 163 | 11.9 | 240 | 83.21 |
| 1" | 30.1 | 190 | 12.5 | 275 | 153.47 |

